

# URB GROUP

GENERAL PRESENTATION

# URB



urb group s.c. rulmenti s.a  
320, Republicii Street, Zip code 731 108 Barlad Romania  
tel: +40235412120 fax: +40235-30.82.00  
[info@urb.ro](mailto:info@urb.ro) - [www.urbgroup.com](http://www.urbgroup.com)



# CONTENT



Who we are: History & Facilities & Sales Info



Design Capabilities & Applications

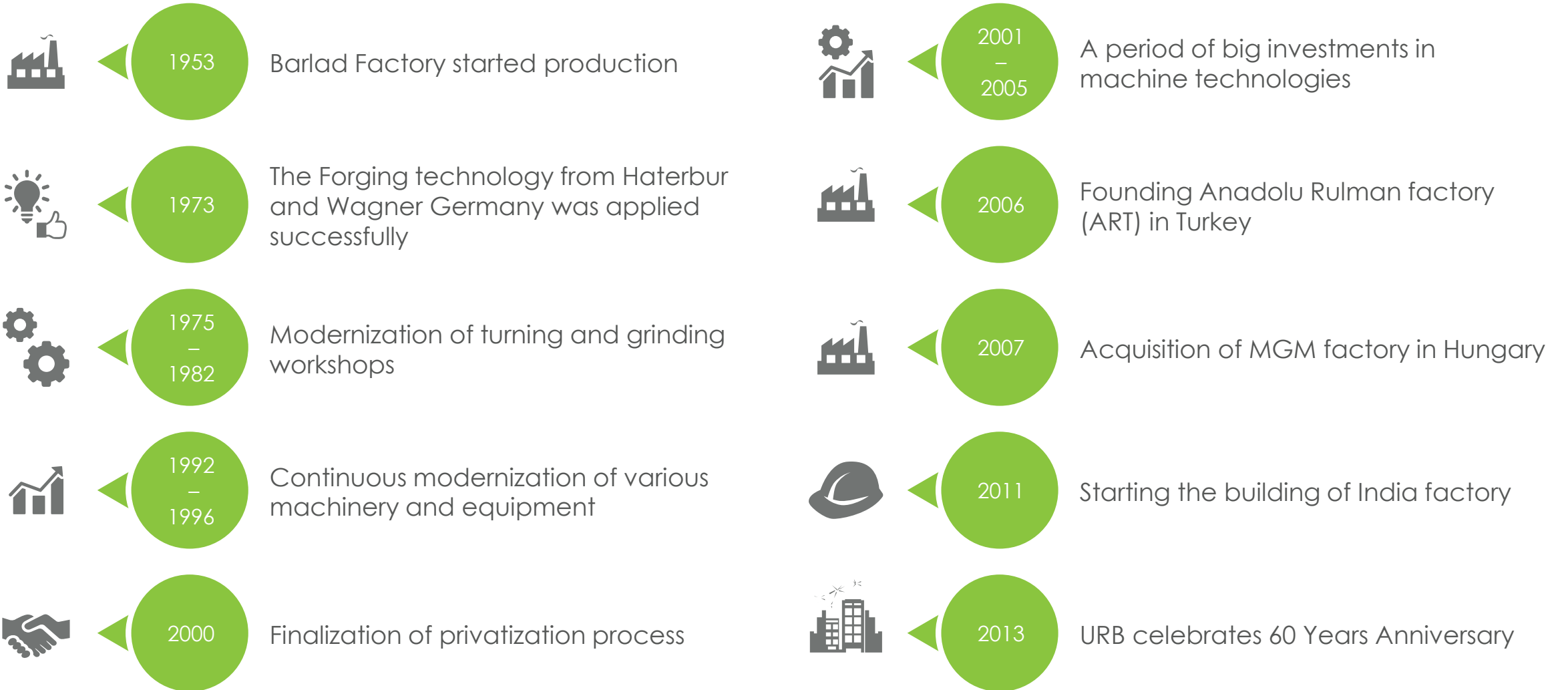


Manufacturing Processes & Controls



Quality Control & Certificates

# WHO WE ARE





## S.C. RULMENTI S.A. (Romania)



Established in **1953**

Total Area: **1.300.000 m<sup>2</sup>**

Covered Area: **400.000 m<sup>2</sup>**

BEARING TYPES	SIZE RANGE (MM)	
Radial Ball Bearings	$10 \leq d \leq 70$	$30 \leq D \leq 130$
Thrust Bearings	$10 \leq d \leq 320$	$24 \leq D \leq 420$
Cylindrical Roller Bearings	$15 \leq d \leq 750$	$30 \leq D \leq 910$
Spherical Roller Bearings	$40 \leq d \leq 450$	$80 \leq D \leq 620$



[www.urbgroup.com](http://www.urbgroup.com)

## Anadolu Rulman (Turkey)



Established in **2005**

Total Area: **125.000 m<sup>2</sup>**

Covered Area: **10.000 m<sup>2</sup>**

BEARING TYPES	SIZE RANGE (MM)	
Single Row Deep Groove Ball Bearings	$10 \leq d \leq 250$	$50 \leq D \leq 300$
Tapered Roller Bearings	$10 \leq d \leq 250$	$100 \leq D \leq 160$
Induction Coated Shaft	$8 \leq d \leq 70$	



[www.urbgroup.com](http://www.urbgroup.com)



## MGM (Hungary)



Established in **1950**

Total Area: **64.000 m<sup>2</sup>**

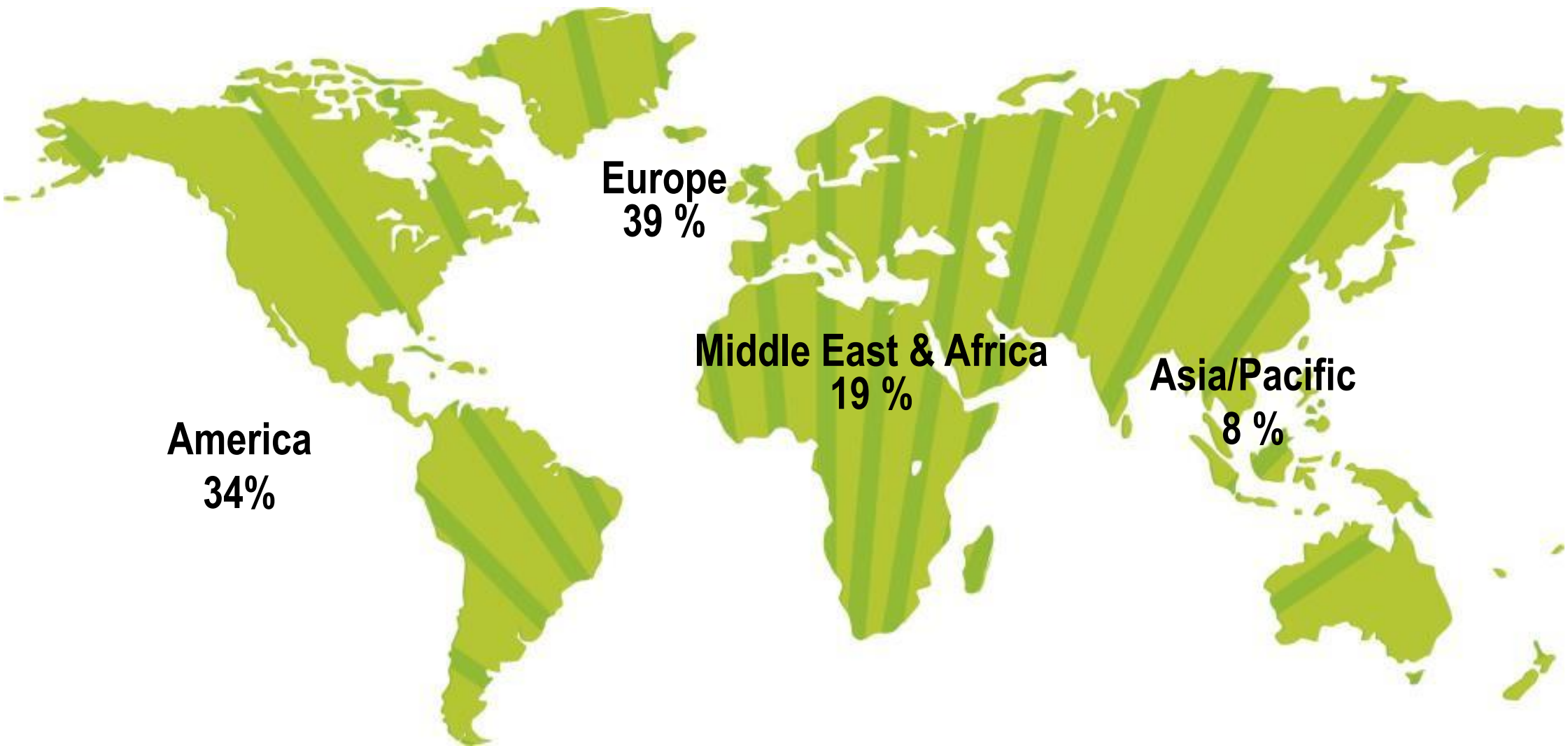
Covered Area: **40.000 m<sup>2</sup>**

BEARING TYPES	SIZE RANGE (MM)	
Single Row Tapered Roller Bearings	$50 \leq d \leq 160$	$100 \leq D \leq 300$
Paired or Double Row Tapered Roller Bearings	$50 \leq d \leq 160$	$100 \leq D \leq 300$
Single Row Deep Groove Ball Bearings	$50 \leq d \leq 130$	$100 \leq D \leq 200$

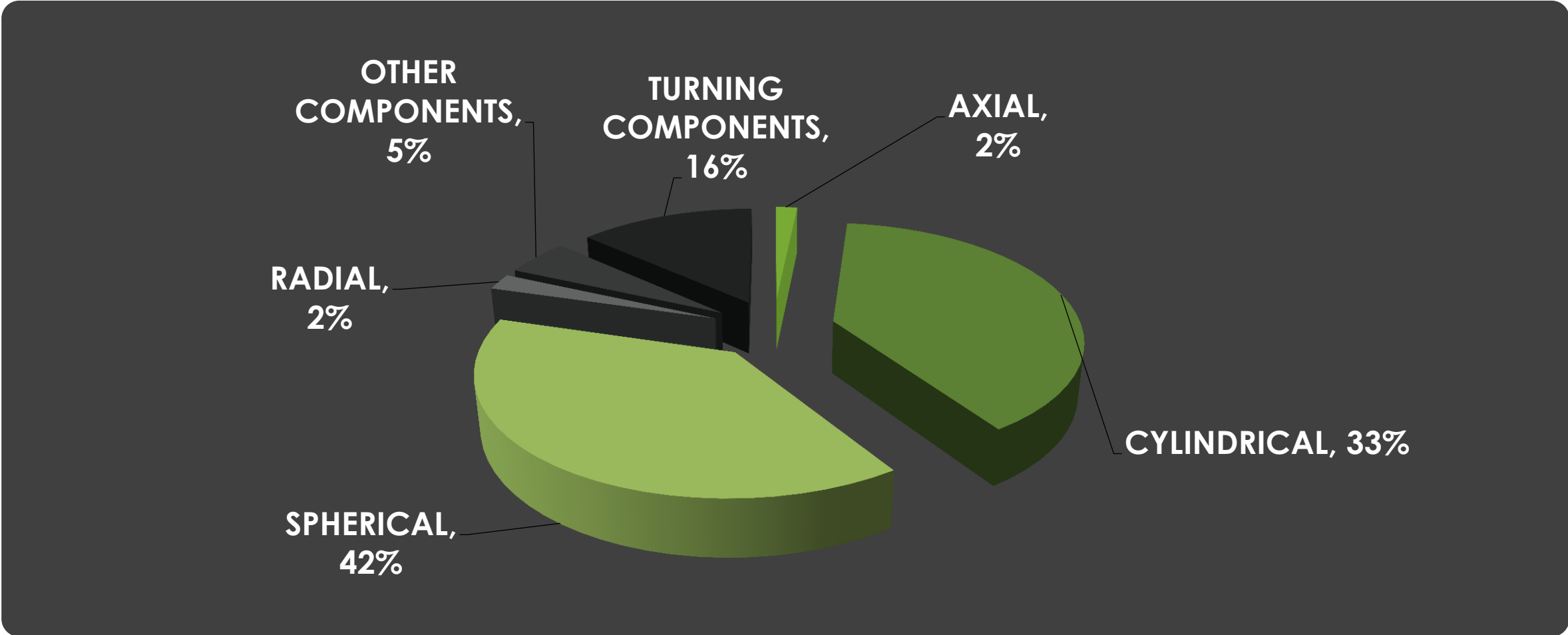


URB INDIA 2017









# MAIN CUSTOMERS - RAILWAY



**ROMANIAN** Railways



**POLISH** Railways



**TURKISH** Railways



**BULGARIAN** Railways



**GREEK** Railways



**VIETNAMESE** Railways



[www.urbgroup.com](http://www.urbgroup.com)

# REFERENCES

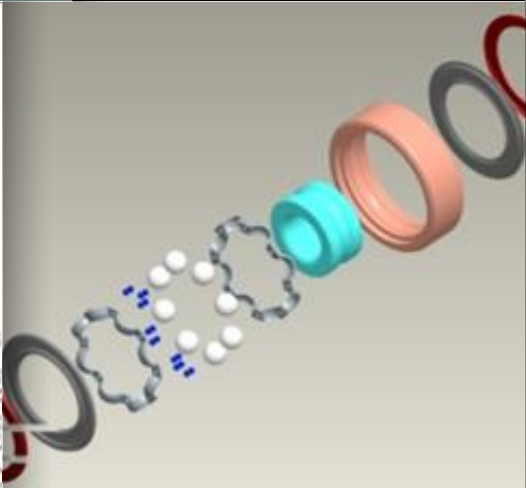
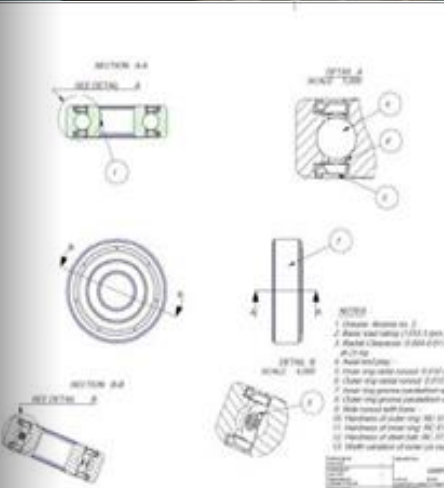
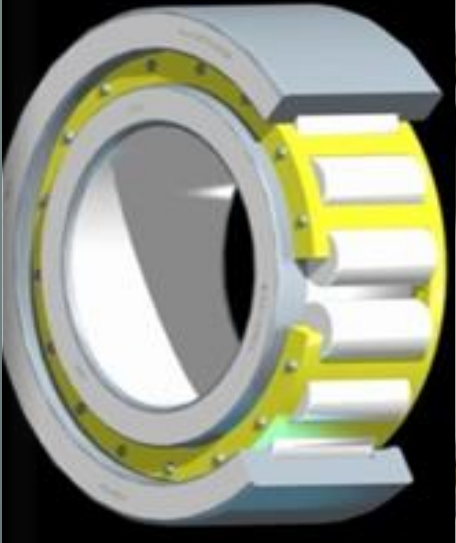
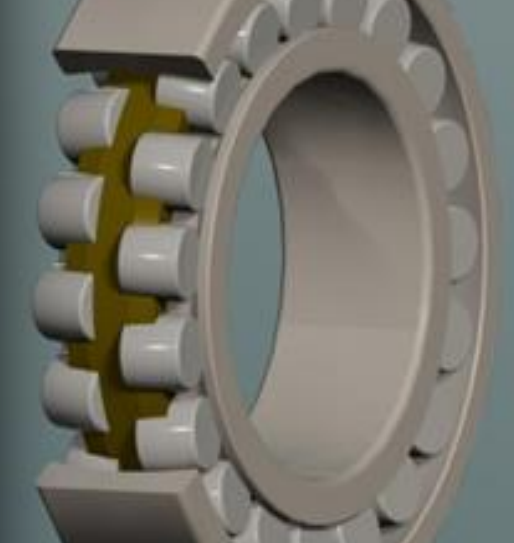
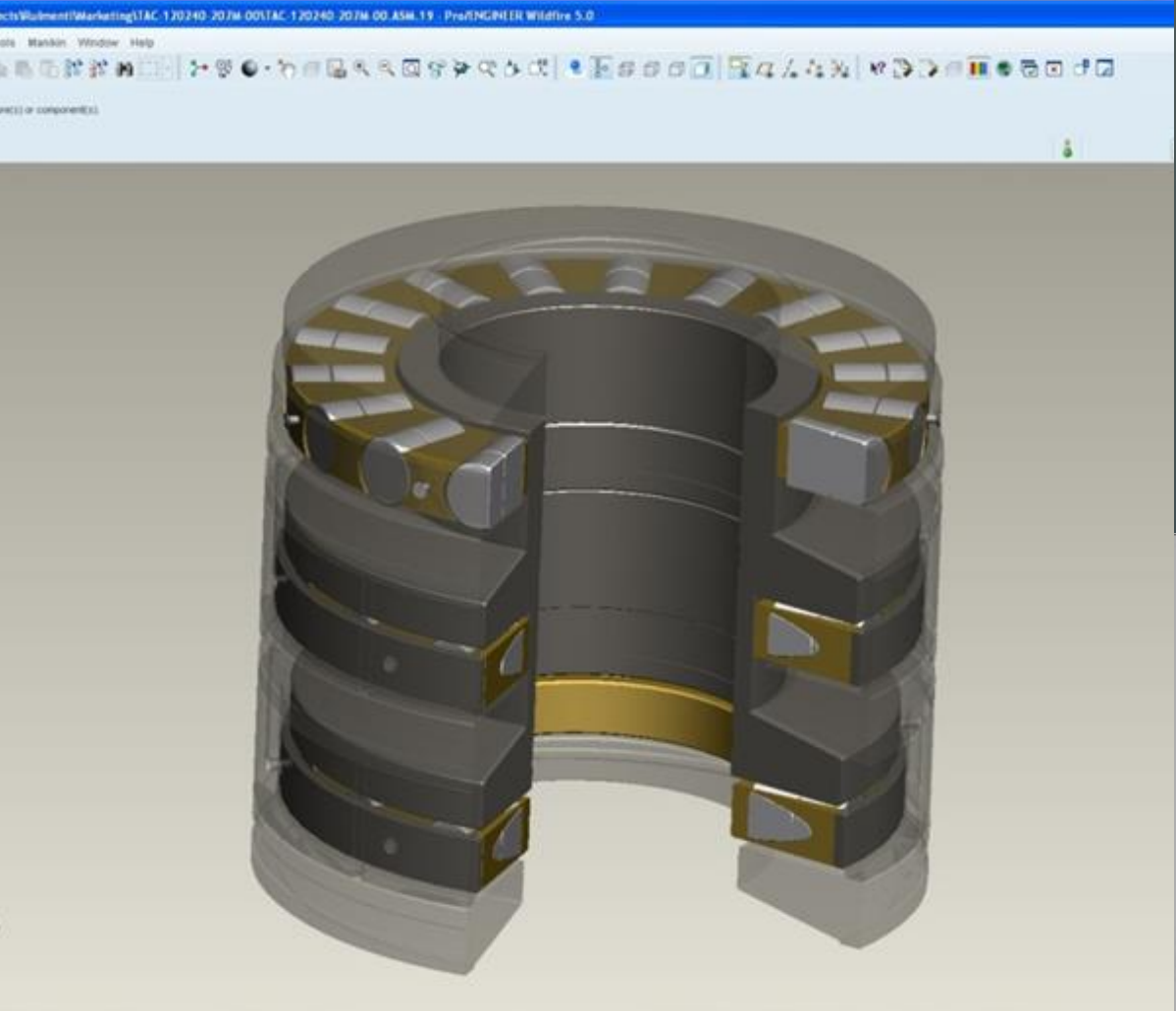


[www.urbgroup.com](http://www.urbgroup.com)



# 2. DESIGN CAPABILITIES & APPLICATIONS

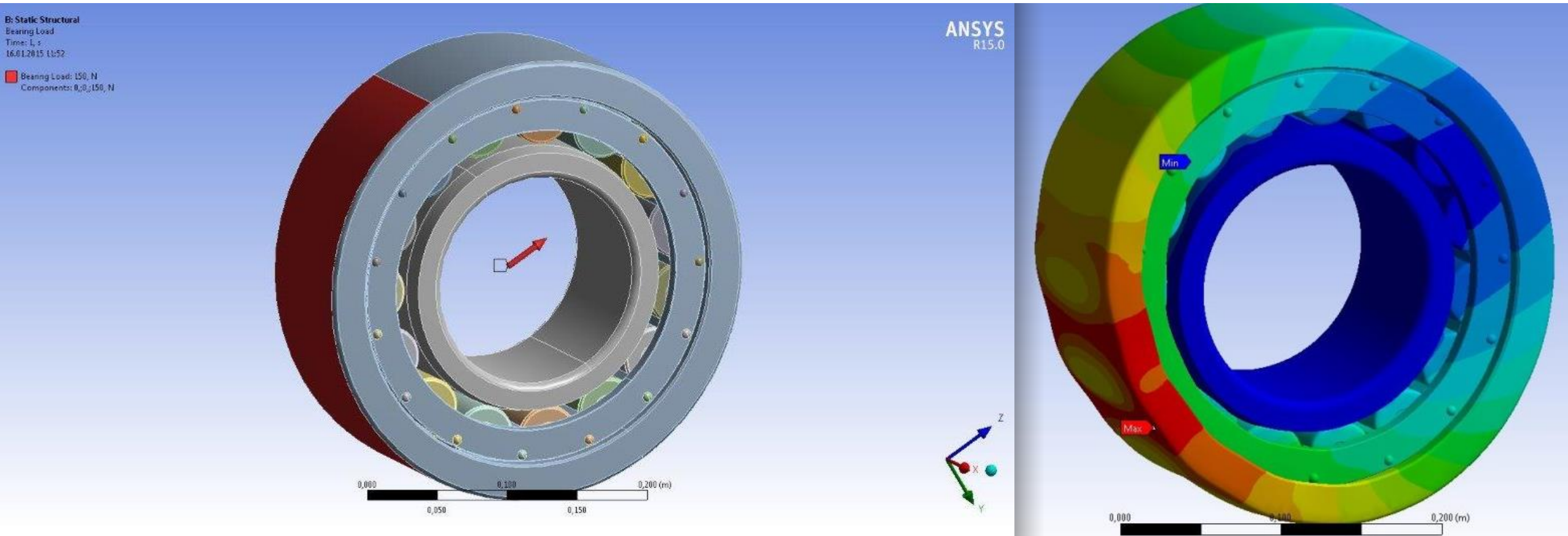
## COMPUTER AIDED DESIGN PROENGINEER - URB SOFTWARE



[www.urbgroup.com](http://www.urbgroup.com)

## 2. DESIGN CAPABILITIES & APPLICATIONS

### COMPUTER AIDED ANALYSIS ANSYS - URB SOFTWARE



Dedicated R&D Team

Cooperation with University

More Accurate Analysis



[www.urbgroup.com](http://www.urbgroup.com)



## 2. DESIGN CAPABILITIES & APPLICATIONS

### Applications



OIL INDUSTRY

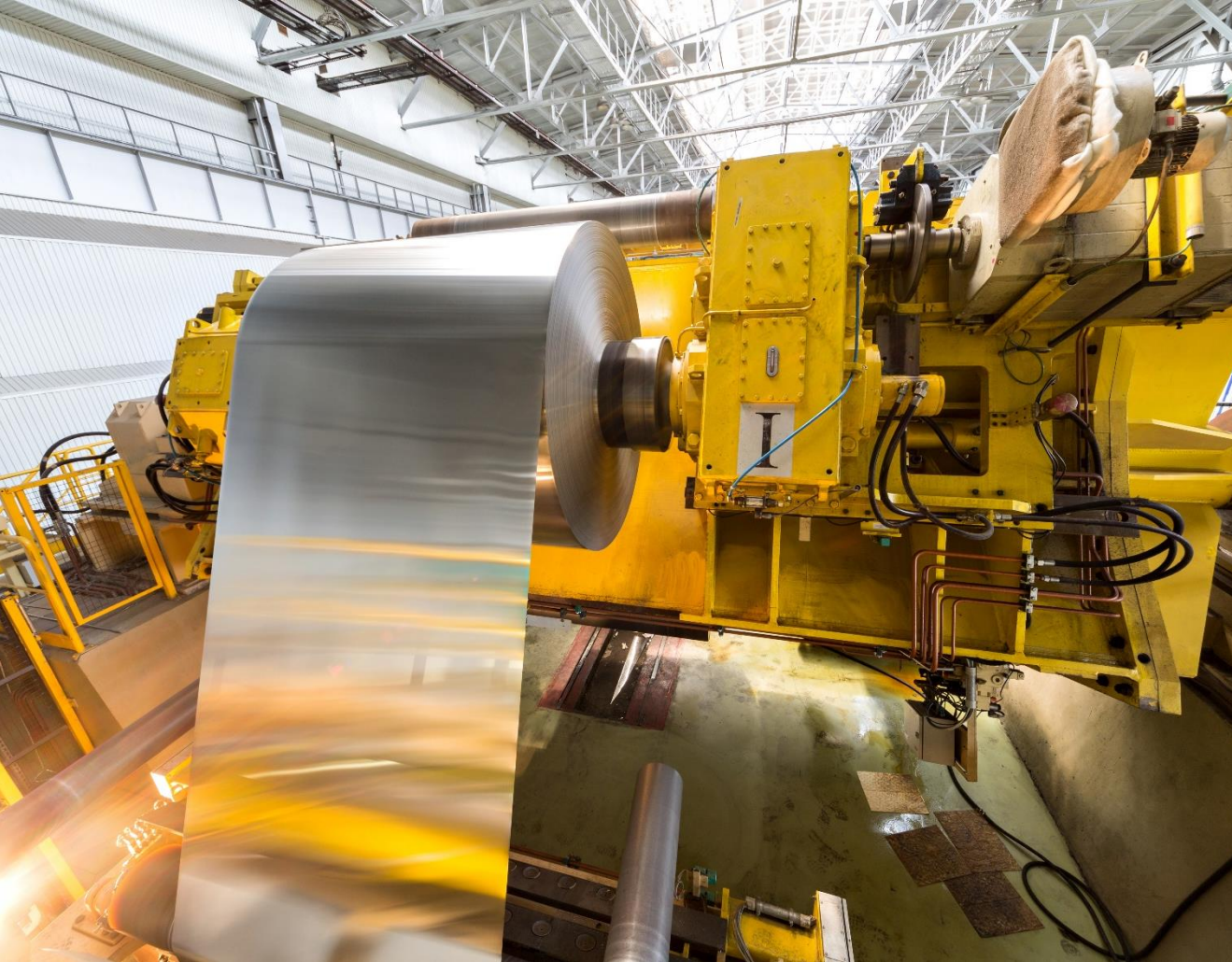


[www.urbgroup.com](http://www.urbgroup.com)

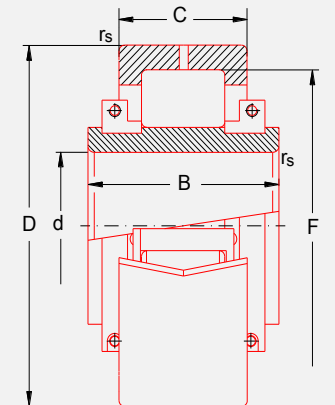


# 2. DESIGN CAPABILITIES & APPLICATIONS

## Applications



## METALLURGY



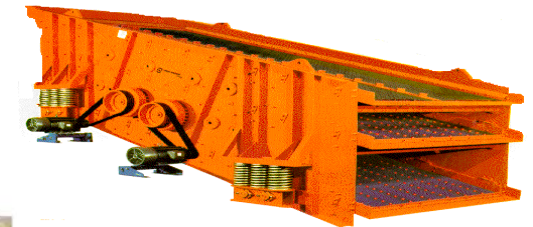
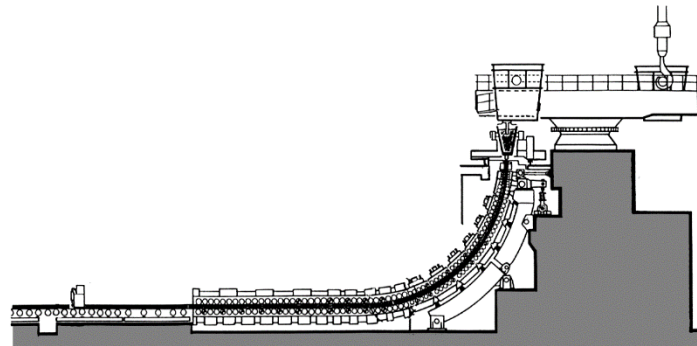
[www.urbgroup.com](http://www.urbgroup.com)

## 2. DESIGN CAPABILITIES & APPLICATIONS

### Applications



AGRICULTURE, MINING, CEMENT, METALS, TRUCKS, CRANES



[www.urbgroup.com](http://www.urbgroup.com)

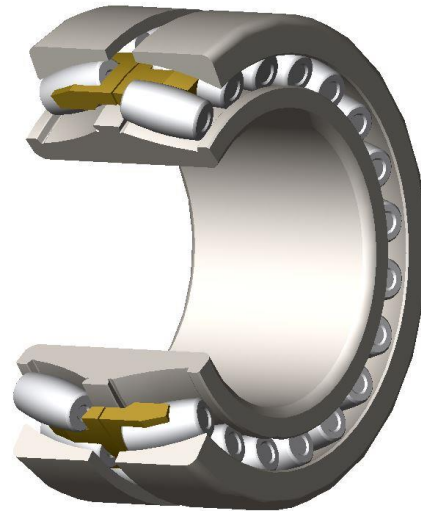


## 2. DESIGN CAPABILITIES & APPLICATIONS

### Applications



ELEVATORS, ROPE SHEAVES



[www.urbgroup.com](http://www.urbgroup.com)





## Certification **QMC- ISO 9001 : 2008 / TUV SUD**

certificate Registration No.: 12 100 52718 TMS from 21.09.2016

Certificate validity: 14.09.2018

## Certification **QMC – ISO/TS 16949 : 2009 / TUV SUD**

certificate Registration No.: 12 111 52718 TMS from 21.09.2016/ IATF Certifacte No.:0248049

Certificate validity: 14.09.2018

## Certification **BMS – IRIS.REV.2:2009 / TUV SUD**

certificate –Register -No.: BUC6018759/IRIS from 16.12.2016

Certificate validity: 15.12.2019

## Certification **EMS – ISO 14001:2004/ LLOYD'S REGISTER**

certificate No.:BUC6013157 from original approval 22.09.2011; current certificate:09.09.2014

Certificate validity: 21.09.2017

## Certification **OH&SMS – OHSAS 18001:2007/ LLOYD'S REGISTER**

certificate No.:BUC6013158 from original approval 29.09.2011;current certificate:15.09.2014

Certificate validity: 28.09.2017



# THANK YOU

FOR YOUR ATTENTION

## Contact Person:

**Daniela Turcanu**  
Sales and Marketing Director  
+40742069872  
daniela.turcanu@urb.ro

## Address:

**320, Republicii Street, Barlad**  
**www.urbgroup.com**  
**sales@urb.ro**